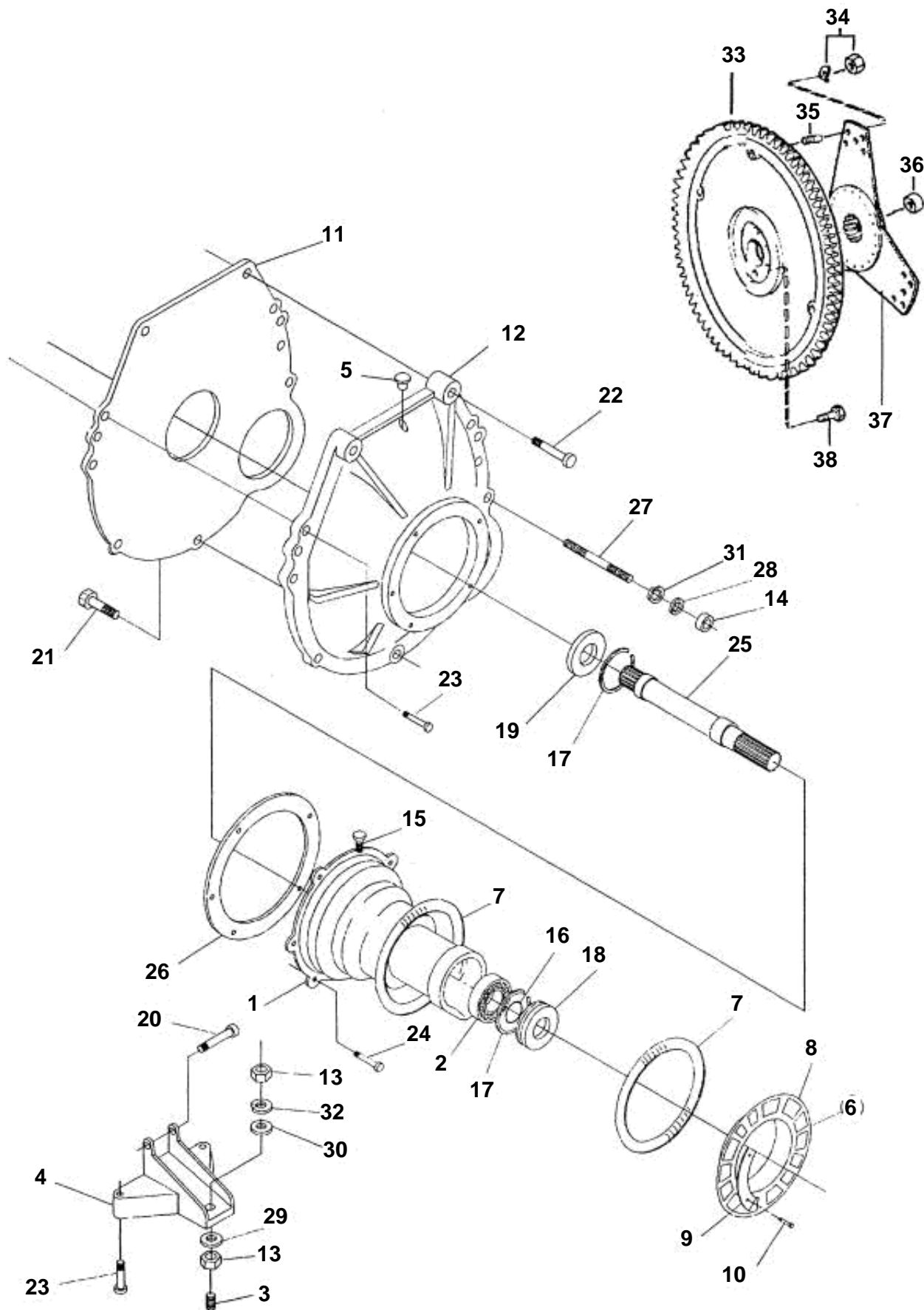


DP - FLYWHEEL CASING, PRIMARY SHAFT AND CLAMPING RING KIT FL & Fi MODE



**DP - FLYWHEEL CASING, PRIMARY SHAFT AND CLAMPING RING KIT FL & Fi
MODE**

REF	PART NO.	QTY	DESCRIPTION
1	839482	1	Intermediate section
2	3851019	1	Ball bearing, Primary shaft
3	3852566	2	Screw, Front Engine Mount
4	940299	?	Plug
5		1	Plastic
6	854315	1	Clamping ring kit
7	804190	2	· Rubber ring, Transom Mount
8	854103	1	· Clamping ring
9	806624	3	· Striker plate, Clamp ring
10	191844	6	· Screw
11	3853003	1	Cover, Flywheel housing
12	3851289	2	Housing
13	3852021	6	Nut, Forward Mount Bracket
14	3852065	2	Nut, Ground stud, flywheel hsg
15	804262	1	Plug, Bearing Housing
16	914462	1	Lock ring, Primary shaft
17	914533	2	Snap ring, Primary shaft
18	958859	1	Sealing ring, Primary shaft
19	958860	1	Sealing ring, Primary shaft
20	3852701	2	Screw, Forward Mount Bracket
21	3853398	2	Screw, Flywheel cover
22	3853558	4	Screw, Flywheel Hsg. to Engine (FL Engines)
	3853558	2	Screw, Flywheel Hsg. to Engine (Fi & FSi Engines)
	3853626	2	Screw, Reservoir & Flywheel Hsg to Engine (Fi & FSi Engines)
23	3853626	6	Screw, Flywheel Hsg. to Engine
24	3853626	6	Screw, Forward Mount Bracket
25	873013	1	Primary shaft
26	3851290	1	Spacer, Flywheel Hsg. to Bearing Hsg
27	3852754	2	Stud, Flywheel Hsg. to Engine Ground
28	3852058	2	Washer, Ground stud
29	3852428	2	Washer, Forward Mount, Lower
30	3852433	2	Washer, Forward Mount, Upper
31	3852002	2	Lock washer, Ground stud
32	3852090	2	Lock washer, Forward Mount
33	3853953	1	Flywheel
34	3854497	6	Lock nut, Damper
	3854496	6	Washer, Damper
35	3854495	6	Stud, Damper
36	3850412	1	Bushing, Pilot
37	3850520	1	Vibration damper, Torsional
38	3855532	6	Screw, Flywheel to Crankshaft